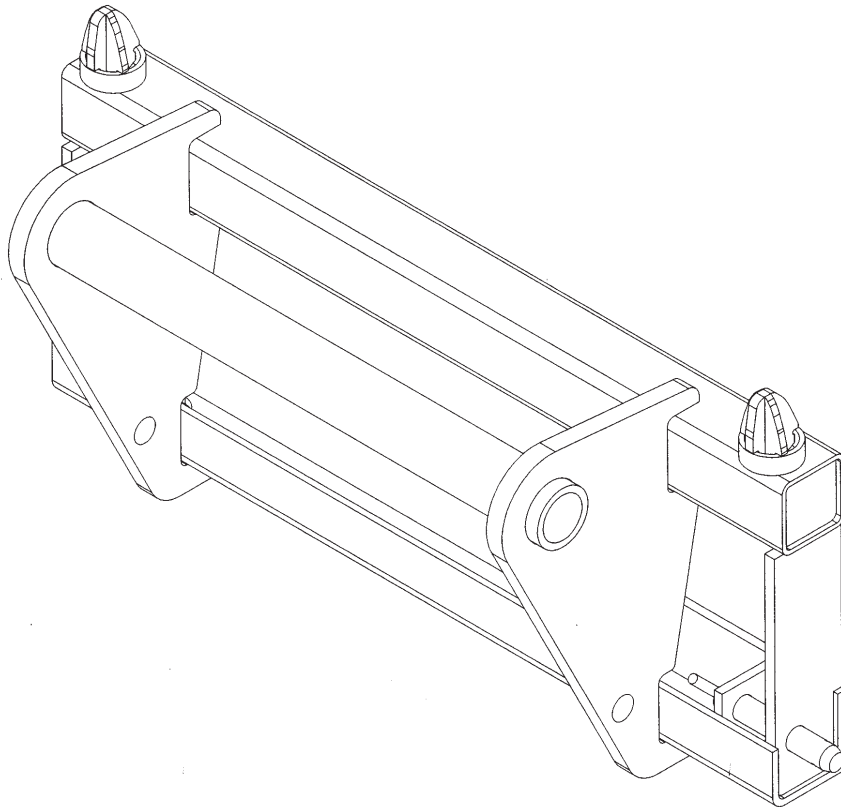




**OPERATOR'S & PARTS MANUAL**

**GEHL CT-SERIES TO JOHN DEERE**

**ADAPTER HITCH ASSEMBLY**



**MODEL NUMBER:** \_\_\_\_\_

**Manual Number: 76321**

**SERIAL NUMBER:** \_\_\_\_\_

**Revision: 1**

**MANUFACTURED BY PALADIN BRANDS FOR GEHL**  
143 Water Street  
West Bend, WI 53095

**Printed in U.S.A.**

M-1596 10-26-07



# TABLE OF CONTENTS

To The Owner .....	3
Limited Warranty .....	5
Safety Statements .....	7
General Safety Precautions.....	7-9
Equipment Safety Precautions .....	10
Installation & Operation .....	11
Adapter Hitch Assembly #13096 - Exploded View and Parts List .....	12



## GENERAL INFORMATION

Congratulations on the purchase of your new attachment. Your attachment was carefully designed and manufactured to give you many years of dependable service. Be sure to observe all safety precautions in this manual and in the equipment operator's manual. Always check load charts before operating.

## ABOUT THIS MANUAL

Read this manual before using your attachment. This manual has been designed to help you do a better and safer job. Remember, never let anyone operate this equipment without reading the "Safety Precautions" and "Operating Instructions" in the equipment manuals. All operators should be fully trained and judged to be competent by an experienced, qualified person who has full knowledge of the "Safety Precautions" and "Operating Instructions."

## SERVICE

When servicing your attachment, remember to use only original manufacturer's replacement parts. Substitute parts may not meet the standards required for safe, dependable operation.

To facilitate parts ordering, record the model and serial number of your attachment in the space provided on the front of this manual. This information may be obtained from the identification plate located on the left side of the attachment.

Your parts department needs this information to ensure that you receive the correct parts for your specific attachment. When calling the Gehl Parts Department, please specify that these are parts for a Paladin attachment.

For price and availability, contact:  
Gehl Parts Department  
Tel (262) 334-6653, Option #1



## **Limited Warranty**

The manufacturer warrants all new products to be free from defects in material and/or workmanship for a period of twelve (12) months. Under no circumstances will it cover any merchandise or components thereof, which, in the opinion of the manufacturer, have been subject to misuse, unauthorized applications, modifications, alteration, an accident or if repairs have been made with parts other than those obtainable through the manufacturer.

In the event of failure within the warranty period from initial retail sale, first lease or rental date (excluding cable, ground engaging parts such as sprockets, digging chain, bearings, teeth, tamping and demolition heads, blade cutting edges, pilot bits, auger teeth, auger heads, and broom brushes). If after examination, the manufacturer determines failure was due to defective material and/or workmanship, part(s) will be repaired or replaced. The manufacturer may request defective part(s) be returned prepaid to them for inspection at their place of business at Delhi, Iowa, or to a location specified by them.

## **Limitations on Responsibility**

**THIS WARRANTY IS IN LIEU OF ALL OTHER WARRANTIES, EXPRESSED OR IMPLIED AND THERE ARE NO WARRANTIES OF MERCHANTABILITY OR OF FITNESS FOR A PARTICULAR PURPOSE . IN NO EVENT SHALL THE MANUFACTURER BE LIABLE FOR CONSEQUENTIAL OR SPECIAL DAMAGE.**

**THE MANUFACTURER'S LIABILITY FOR ANY AND ALL LOSSES AND DAMAGES TO BUYER, RESULTING FROM ANY CAUSE WHATSOEVER, INCLUDING THE MANUFACTURER'S NEGLIGENCE, IRRESPECTIVE OF WHETHER SUCH DEFECTS ARE DISCOVERABLE OR LATENT, SHALL IN NO EVENT EXCEED THE PURCHASE PRICE OF THE PARTICULAR PRODUCTS WITH RESPECT TO WHICH LOSSES OR DAMAGES ARE CLAIMED, OR, AT THE ELECTION OF THE MANUFACTURER, THE REPAIR OR REPLACEMENT OF DEFECTIVE OR DAMAGED PRODUCTS.**





# SAFETY STATEMENTS



THIS SYMBOL BY ITSELF OR WITH A WARNING WORD THROUGHOUT THIS MANUAL IS USED TO CALL YOUR ATTENTION TO INSTRUCTIONS INVOLVING YOUR PERSONAL SAFETY OR THE SAFETY OF OTHERS. FAILURE TO FOLLOW THESE INSTRUCTIONS CAN RESULT IN INJURY OR DEATH.



## DANGER

THIS SIGNAL WORD IS USED WHERE SERIOUS INJURY OR DEATH WILL RESULT IF THE INSTRUCTIONS ARE NOT FOLLOWED PROPERLY.



## WARNING

THIS SIGNAL WORD IS USED WHERE SERIOUS INJURY OR DEATH COULD RESULT IF THE INSTRUCTIONS ARE NOT FOLLOWED PROPERLY.



## CAUTION

THIS SIGNAL WORD IS USED WHERE MINOR INJURY COULD RESULT IF THE INSTRUCTIONS ARE NOT FOLLOWED PROPERLY.

## NOTICE

NOTICE INDICATES A PROPERTY DAMAGE MESSAGE.

## GENERAL SAFETY PRECAUTIONS

### WARNING!



### READ MANUAL PRIOR TO INSTALLATION

Improper installation, operation, or maintenance of this equipment could result in serious injury or death. Operators and maintenance personnel should read this manual, as well as all manuals related to this equipment and the telescopic handler thoroughly before beginning installation, operation, or maintenance. **FOLLOW ALL SAFETY INSTRUCTIONS IN THIS MANUAL AND THE TELESCOPIC HANDLER'S MANUAL(S).**

### WARNING!



### READ AND UNDERSTAND ALL SAFETY STATEMENTS

Read all safety decals and safety statements in all manuals prior to operating or working on this equipment. Know and obey all OSHA regulations, local laws, and other professional guidelines for your operation. Know and follow good work practices when assembling, maintaining, repairing, mounting, removing, or operating this equipment.

### WARNING!



### KNOW YOUR EQUIPMENT

Know your equipment's capabilities, dimensions, and operations before operating. Visually inspect your equipment before you start, and never operate equipment that is not in proper working order with all safety devices intact. Check all hardware to ensure it is tight. Make certain that all locking pins, latches, and connection devices are properly installed and secured. Remove and replace any damaged, fatigued, or excessively worn parts. Make certain all safety decals are in place and are legible. Keep decals clean, and replace them if they become worn or hard to read.

## GENERAL SAFETY PRECAUTIONS

### WARNING!



### PROTECT AGAINST FLYING DEBRIS

Always wear proper safety glasses, goggles, or a face shield when driving pins in or out, or when any operation causes dust, flying debris, or any other hazardous material.

### WARNING!



### LOWER OR SUPPORT RAISED EQUIPMENT

Do not work under raised booms without supporting them. Do not use support material made of concrete blocks, logs, buckets, barrels, or any other material that could suddenly collapse or shift positions. Make sure support material is solid, not decayed, warped, twisted, or tapered. Lower booms to ground level or on blocks. Lower booms and attachments to the ground before leaving the cab or operator's station.

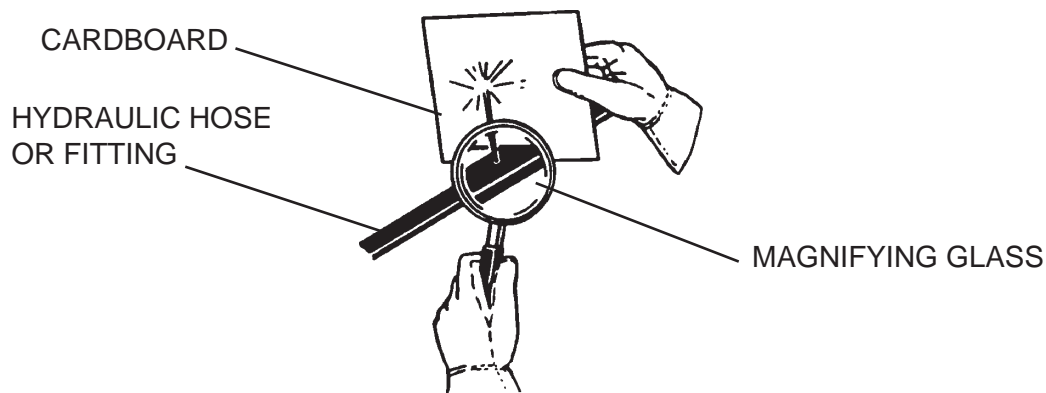
### WARNING!



### USE CARE WITH HYDRAULIC FLUID PRESSURE

Hydraulic fluid under pressure can penetrate the skin and cause serious injury or death. Hydraulic leaks under pressure may not be visible. Before connecting or disconnecting hydraulic hoses, read your telescopic handler's operator's manual for detailed instructions on connecting and disconnecting hydraulic hoses or fittings.

- Keep unprotected body parts, such as face, eyes, and arms as far away as possible from a suspected leak. Flesh injected with hydraulic fluid may develop gangrene or other permanent disabilities.
- If injured by injected fluid, see a doctor at once. If your doctor is not familiar with this type of injury, ask him or her to research it immediately to determine proper treatment.
- Wear safety glasses, protective clothing, and use a piece of cardboard or wood when searching for hydraulic leaks. **DO NOT USE YOUR HANDS! SEE ILLUSTRATION.**



## GENERAL SAFETY PRECAUTIONS

### WARNING!



### DO NOT MODIFY MACHINE OR ATTACHMENTS

Modifications may weaken the integrity of the attachment and may impair the function, safety, life, and performance of the attachment. When making repairs, use only the manufacturer's genuine parts, following authorized instructions. Other parts may be substandard in fit and quality. Never modify any ROPS (Roll Over Protection Structure) or FOPS (Falling Object Protective Structure) equipment or device. Any modifications must be authorized in writing by the manufacturer.

### WARNING!



### SAFELY MAINTAIN AND REPAIR EQUIPMENT

- Do not wear loose clothing or any accessories that can catch in moving parts. If you have long hair, cover or secure it so that it does not become entangled in the equipment.
- Work on a level surface in a well-lit area.
- Use properly grounded electrical outlets and tools.
- Use the correct tools for the job at hand. Make sure they are in good condition for the task required.
- Wear the protective equipment specified by the tool manufacturer.

### WARNING!



### SAFELY OPERATE EQUIPMENT

Do not operate equipment until you are completely trained by a qualified operator in how to use the controls, know its capabilities, dimensions, and all safety requirements. See your machine's manual for these instructions.

- Keep all step plates, grab bars, pedals, and controls free of dirt, grease, debris, and oil.
- Never allow anyone to be around the equipment when it is operating.
- Do not allow riders on the attachment or the telescopic handler.
- Do not operate the equipment from anywhere other than the correct operator's position.
- Never leave equipment unattended with the engine running, or with this attachment in a raised position.
- Do not alter or remove any safety feature from the telescopic handler or this attachment.
- Know your work site safety rules as well as traffic rules and flow. When in doubt on any safety issue, contact your supervisor or safety coordinator for an explanation.

## EQUIPMENT SAFETY PRECAUTIONS

### WARNING!



U.S. OSHA regulations require employers in general industry and the construction, ship-yard and cargo-handling industries (excepting agricultural operations) to ensure that forklift operators are competent, as demonstrated by successful completion of a training course.

The training course must consist of a combination of formal instruction and practical training, including both forklift-related and workplace-related topics, and evaluation of the operator's performance in the workplace.

All operator training and evaluation is to be conducted by persons who have the knowledge, training, and experience to train and evaluate operators.

### WARNING! DO NOT OPERATE MACHINE IF ATTACHMENT IS LOOSE



Visually check the coupler to verify that it is securely attached. Separation of the coupler from the telescopic handler, or the attachment from the coupler could result, if not properly and securely attached. Keep the attachment close to the ground during all lock and unlock operations.

Consult your telescopic handler's manufacturer's specifications for lifting procedures and capacities, incorrect applications, and uses. Failure to follow these instructions may result in severe injury or death.

### WARNING! KNOW WHERE UTILITIES ARE



Observe overhead electrical and other utility lines. Be sure equipment will clear them. When digging, call your local utilities for location of buried utility lines, gas, water, and sewer, as well as any other hazard you may encounter.

### WARNING! OPERATING THE MACHINE



Avoid steep hillside operation, which could cause the prime mover to overturn. Consult your telescopic handler's operator's and safety manuals for maximum incline allowable. Extreme caution should be used when working along the top of banks or slopes. Keep away from the edge.

When operating on a slope, keep the load low, and proceed with extreme caution. Do not drive ACROSS a steep slope - drive straight up and down. With a LOADED bucket - face the bucket and load uphill. With an EMPTY bucket - face the bucket downhill.

### WARNING! WORKING WITH THE ATTACHMENT



- Never use your attachment for a work platform or personnel carrier.
- Specified lift capacities must not be exceeded, otherwise machine stability is not sufficient. Always observe lift capacity limits listed in machine specifications or written on load charts furnished with the telescopic handler.
- An operator must not use drugs or alcohol, which can change his or her alertness or coordination. An operator taking prescription or over-the-counter drugs should seek medical advice on whether or not he or she can safely operate equipment.
- Always check locking pins before operating any attachment.
- Never lift, move, or swing a loaded bucket over anyone.
- Never undercut a high bank. When working at the base of a bank, overhang, or stockpile, avoid dangers such as rock or earth slides, overhanging trees, or a cave-in, by proper job operation.
- Be careful when handling loose objects. Lifting too high, or rolling the bucket too far back, could result in these objects sliding backward down the arms onto the operator compartment.
- Don't obstruct your vision when traveling or working. Carry the bucket low for maximum stability and visibility.

# INSTALLATION AND OPERATION

## ATTACHING AND DETACHING EQUIPMENT

Refer to your telescopic handler's operator's manual for instructions on attaching and detaching your equipment, and installing the coupler onto the telescopic handler. Visually check to verify that the coupler is securely attached.

To attach to a John Deere attachment:

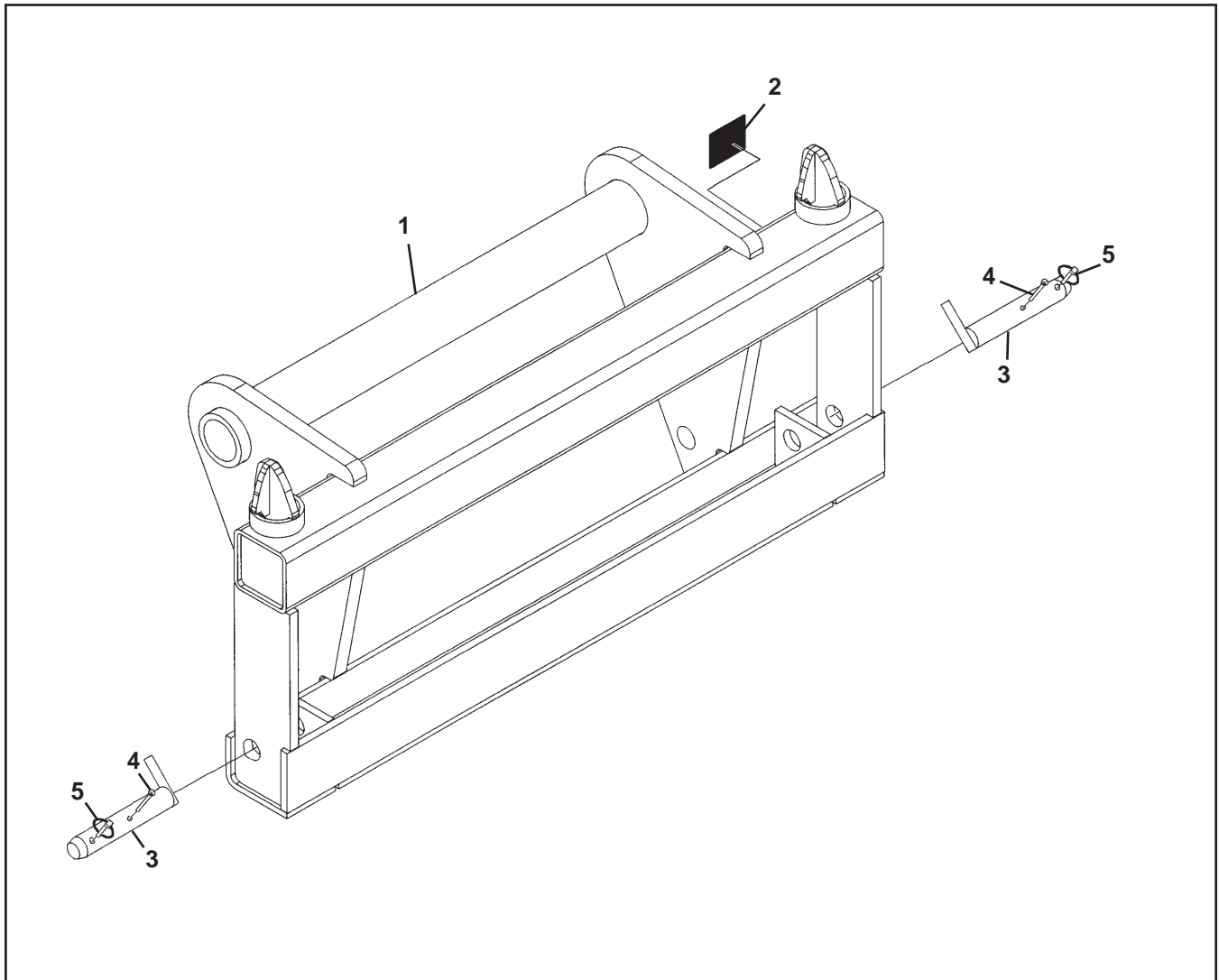
1. Ensure that the locking pins are fully retracted.
2. Extend the boom, tilt the carrier slightly forward, and drive up to the attachment.
3. Drive the machine forward until the pickup cones pass under the rings on the attachment, and then lift the boom until the attachment is clear of the ground.
4. Tilt the carrier backwards and engage the locking pins.
5. Visually verify that the attachment is securely attached.
6. Lower the attachment to its lowest position, and shut off the engine. Connect the hydraulic hoses to the handler, if so equipped, by following the auxiliary hydraulic hookup instructions in your telescopic handler's operator's manual.

The installation is now complete.

## OPERATING EQUIPMENT

Read all Safety Precautions before operating the new attachment. If you have not been supplied with a load chart for the attachment, order one from your dealer, and place it inside the operating machine for safe lift capacity limits.

**ADAPTER HITCH ASSEMBLY #13096**



ITEM	PALADIN PART NUMBER	QTY	DESCRIPTION
1	109529	1	Adapter Frame
2	-----	1	Serial Number Identification Tag Location
3	109520	2	Pin
4	1793	2	Cotter Pin
5	6626	2	Clik Pin

**NOTE:** Please specify that this is a Paladin attachment when contacting the Gehl Parts Department.

M-1595 10-26-07