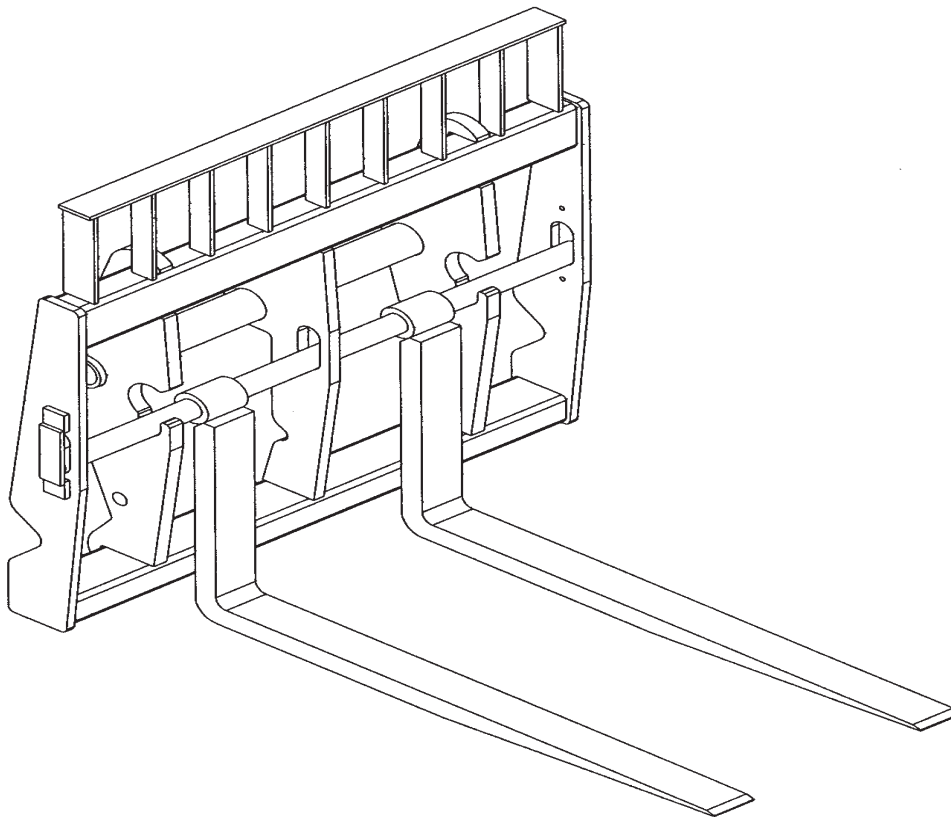


GEHL[®]

FORK CARRIAGE MANUAL FOR CT-SERIES TELESCOPIC HANDLERS

OPERATOR'S & PARTS MANUAL



MODEL NUMBER: _____

Manual Number: 76265

SERIAL NUMBER: _____

Rev: 3

MANUFACTURED BY PALADIN BRANDS FOR GEHL
143 Water Street
West Bend, WI 53095

Printed in U.S.A.

TABLE OF CONTENTS

To The Owner	3
Limited Warranty	5
Safety Statements	7
General Safety Precautions.....	7-9
Equipment Safety Precautions	10
Installation & Operation	11
48" Side Tilt Rotating Fork Carriage Assembly #820271 - Exploded View and Parts List...	12-13
60" Side Tilt Rotating Fork Carriage Assembly #820272 - Exploded View and Parts List...	14-15
48" Floating Pin Fork Carriage Assembly #820269 - Exploded View and Parts List.....	16
60" Floating Pin Fork Carriage Assembly #820270 - Exploded View and Parts List.....	17
Cylinder #89113 - Exploded View and Parts List.....	18-19

GENERAL INFORMATION

Congratulations on the purchase of your new attachment. Your attachment was carefully designed and manufactured to give you many years of dependable service. Be sure to observe all safety precautions in this manual and in the equipment operator's manual. Always check load charts before operating.

ABOUT THIS MANUAL

Read this manual before using your attachment. This manual has been designed to help you do a better and safer job. Remember, never let anyone operate this equipment without reading the "Safety Precautions" and "Operating Instructions" in the equipment manuals. All operators should be fully trained and judged to be competent by an experienced, qualified person who has full knowledge of the "Safety Precautions" and "Operating Instructions."

SERVICE

When servicing your attachment, remember to use only original manufacturer's replacement parts. Substitute parts may not meet the standards required for safe, dependable operation.

To facilitate parts ordering, record the model and serial number of your attachment in the space provided on the front of this manual. This information may be obtained from the identification plate located on the left side of the attachment.

Your parts department needs this information to ensure that you receive the correct parts for your specific attachment. When calling the Gehl Parts Department, please specify that these are parts for a Paladin attachment.

For price and availability, contact:
Gehl Parts Department
Tel (262) 334-6653, Option #1

Limited Warranty

The manufacturer warrants all new products to be free from defects in material and/or workmanship for a period of twelve (12) months. Under no circumstances will it cover any merchandise or components thereof, which, in the opinion of the manufacturer, have been subject to misuse, unauthorized applications, modifications, alteration, an accident or if repairs have been made with parts other than those obtainable through the manufacturer.

In the event of failure within the warranty period from initial retail sale, first lease or rental date (excluding cable, ground engaging parts such as sprockets, digging chain, bearings, teeth, tamping and demolition heads, blade cutting edges, pilot bits, auger teeth, auger heads, and broom brushes). If after examination, the manufacturer determines failure was due to defective material and/or workmanship, part(s) will be repaired or replaced. The manufacturer may request defective part(s) be returned prepaid to them for inspection at their place of business at Delhi, Iowa, or to a location specified by them.

Limitations on Responsibility

THIS WARRANTY IS IN LIEU OF ALL OTHER WARRANTIES, EXPRESSED OR IMPLIED AND THERE ARE NO WARRANTIES OF MERCHANTABILITY OR OF FITNESS FOR A PARTICULAR PURPOSE . IN NO EVENT SHALL THE MANUFACTURER BE LIABLE FOR CONSEQUENTIAL OR SPECIAL DAMAGE.

THE MANUFACTURER'S LIABILITY FOR ANY AND ALL LOSSES AND DAMAGES TO BUYER, RESULTING FROM ANY CAUSE WHATSOEVER, INCLUDING THE MANUFACTURER'S NEGLIGENCE, IRRESPECTIVE OF WHETHER SUCH DEFECTS ARE DISCOVERABLE OR LATENT, SHALL IN NO EVENT EXCEED THE PURCHASE PRICE OF THE PARTICULAR PRODUCTS WITH RESPECT TO WHICH LOSSES OR DAMAGES ARE CLAIMED, OR, AT THE ELECTION OF THE MANUFACTURER, THE REPAIR OR REPLACEMENT OF DEFECTIVE OR DAMAGED PRODUCTS.

SAFETY STATEMENTS



THIS SYMBOL BY ITSELF OR WITH A WARNING WORD THROUGHOUT THIS MANUAL IS USED TO CALL YOUR ATTENTION TO INSTRUCTIONS INVOLVING YOUR PERSONAL SAFETY OR THE SAFETY OF OTHERS. FAILURE TO FOLLOW THESE INSTRUCTIONS CAN RESULT IN INJURY OR DEATH.



DANGER

THIS SIGNAL WORD IS USED WHERE SERIOUS INJURY OR DEATH WILL RESULT IF THE INSTRUCTIONS ARE NOT FOLLOWED PROPERLY.



WARNING

THIS SIGNAL WORD IS USED WHERE SERIOUS INJURY OR DEATH COULD RESULT IF THE INSTRUCTIONS ARE NOT FOLLOWED PROPERLY.



CAUTION

THIS SIGNAL WORD IS USED WHERE MINOR INJURY COULD RESULT IF THE INSTRUCTIONS ARE NOT FOLLOWED PROPERLY.

NOTICE

NOTICE INDICATES A PROPERTY DAMAGE MESSAGE.

GENERAL SAFETY PRECAUTIONS

WARNING!



READ MANUAL PRIOR TO INSTALLATION

Improper installation, operation, or maintenance of this equipment could result in serious injury or death. Operators and maintenance personnel should read this manual, as well as all manuals related to this equipment and the telescopic handler thoroughly before beginning installation, operation, or maintenance. **FOLLOW ALL SAFETY INSTRUCTIONS IN THIS MANUAL AND THE TELESCOPIC HANDLER'S MANUAL(S).**



READ AND UNDERSTAND ALL SAFETY STATEMENTS

Read all safety decals and safety statements in all manuals prior to operating or working on this equipment. Know and obey all OSHA regulations, local laws, and other professional guidelines for your operation. Know and follow good work practices when assembling, maintaining, repairing, mounting, removing, or operating this equipment.



KNOW YOUR EQUIPMENT

Know your equipment's capabilities, dimensions, and operations before operating. Visually inspect your equipment before you start, and never operate equipment that is not in proper working order with all safety devices intact. Check all hardware to ensure it is tight. Make certain that all locking pins, latches, and connection devices are properly installed and secured. Remove and replace any damaged, fatigued, or excessively worn parts. Make certain all safety decals are in place and are legible. Keep decals clean, and replace them if they become worn or hard to read.

M-909 7-28-05

GENERAL SAFETY PRECAUTIONS - CONTINUED

WARNING!



PROTECT AGAINST FLYING DEBRIS

Always wear proper safety glasses, goggles, or a face shield when driving pins in or out, or when any operation causes dust, flying debris, or any other hazardous material.

WARNING!



LOWER OR SUPPORT RAISED EQUIPMENT

Do not work under raised booms without supporting them. Do not use support material made of concrete blocks, logs, buckets, barrels, or any other material that could suddenly collapse or shift positions. Make sure support material is solid, not decayed, warped, twisted, or tapered. Lower boom to ground level or on blocks. Lower boom and attachments to the ground before leaving the cab or operator's station.

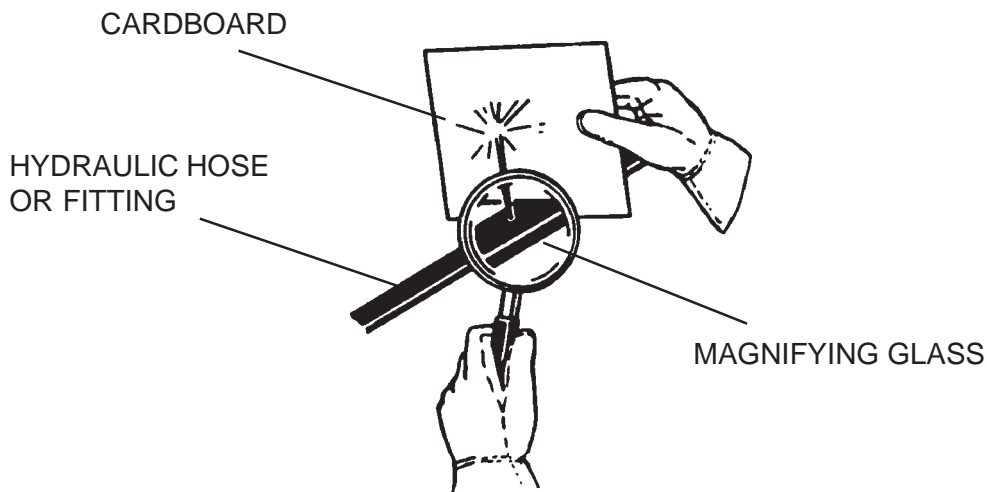
WARNING!



USE CARE WITH HYDRAULIC FLUID PRESSURE

Hydraulic fluid under pressure can penetrate the skin and cause serious injury or death. Hydraulic leaks under pressure may not be visible. Before connecting or disconnecting hydraulic hoses, read your prime mover's operator's manual for detailed instructions on connecting and disconnecting hydraulic hoses and fittings.

- Keep unprotected body parts, such as face, eyes, and arms as far away as possible from a suspected leak. Flesh injected with hydraulic fluid may develop gangrene or other permanent disabilities.
- If injured by injected fluid, see a doctor at once. If your doctor is not familiar with this type of injury, ask him to research it immediately to determine proper treatment.
- Wear safety glasses, protective clothing, and use a piece of cardboard or wood when searching for hydraulic leaks. **DO NOT USE YOUR HANDS! SEE ILLUSTRATION.**



GENERAL SAFETY PRECAUTIONS - CONTINUED

WARNING!



DO NOT MODIFY MACHINE OR ATTACHMENTS

Modifications may weaken the integrity of the attachment and may impair the function, safety, life, and performance of the attachment. When making repairs, use only the manufacturer's genuine parts, following authorized instructions. Other parts may be substandard in fit and quality. Never modify any ROPS (Roll-Over Protection Structure) or FOPS (Falling Object Protective Structure) equipment or device. Any modifications must be authorized in writing by the manufacturer.

WARNING!



SAFELY MAINTAIN AND REPAIR EQUIPMENT

- Do not wear loose clothing or any accessories that can catch in moving parts. If you have long hair, cover or secure it so that it does not become entangled in the equipment.
- Work on a level surface in a well-lit area.
- Use properly grounded electrical outlets and tools.
- Use the correct tools for the job at hand. Make sure they are in good condition for the task required.
- Wear the protective equipment specified by the tool manufacturer.



SAFELY OPERATE EQUIPMENT

Do not operate equipment until you are completely trained by a qualified operator in how to use the controls, know its capabilities, dimensions, and all safety requirements. See your machine's manual for these instructions.

- Keep all step plates, grab bars, pedals, and controls free of dirt, grease, debris, and oil.
- Never allow anyone to be around the equipment when it is operating.
- Do not allow riders on the attachment or the telescopic handler.
- Do not operate the equipment from anywhere other than the correct operator's position.
- Never leave equipment unattended with the engine running, or with the attachment in a raised position.
- Do not alter or remove any safety feature from the telescopic handler or the attachment.
- Know your work site safety rules as well as traffic rules and flow. When in doubt on any safety issue, contact your supervisor or safety coordinator for an explanation.

EQUIPMENT SAFETY PRECAUTIONS

WARNING!



KNOW WHERE UTILITIES ARE

Observe overhead electrical and other utility lines. Be sure equipment will clear them. When digging, call your local utilities for location of buried utility lines, gas, water, and sewer, as well as any other hazard you may encounter.



OPERATING THE TELESCOPIC HANDLER

Avoid steep hillside operation, which could cause the telescopic handler to overturn. Consult your machine operator's and safety manuals for maximum incline allowable.

When operating on a slope, keep the load low, and proceed with extreme caution. Do not drive ACROSS a steep slope - drive straight up and down. With LOADED forks - drive with the forks and load facing uphill. With EMPTY forks - drive with the forks facing downhill.



WORKING WITH THE ATTACHMENT

- Never use the attachment for a work platform or personnel carrier.
- Specified lift capacities must not be exceeded, otherwise machine stability will not be sufficient. Always observe lift capacity limits listed in machine specifications or on load charts furnished with the telescopic handler.
- An operator must not use drugs or alcohol, which can change his or her alertness or coordination. An operator taking prescription or over-the-counter drugs should seek medical advice on whether or not he or she can safely operate equipment.
- Always check locking pins before operating any attachment.
- Never lift, move, or swing loaded forks over anyone.
- Always space the forks correctly for the load. Loads can fall off incorrectly spaced forks. Make sure the forks are completely under the load before lifting.
- Never stack loads on uneven ground. Loads stacked on uneven ground can topple.
- Never lift a load with one fork. A load lifted with one fork can slip off and cause injury.
- Secure loads properly. Unsecured loads can fall unexpectedly.
- Do not handle round bales with fork lift tines.
- Don't obstruct your vision when traveling or working. Carry the forks low for maximum stability and visibility.



MAINTAINING THE ATTACHMENT

- Never perform any work on the equipment unless you are authorized and qualified to do so. Always read the operator's and service manual(s) before any repair is made. After completing maintenance or repair, check for correct functioning of the attachment. If not functioning properly, always attach a "DO NOT OPERATE" tag to the machine until all problems are corrected.
- Worn, damaged, or illegible safety decals must be replaced. New safety decals can be ordered from the manufacturer.

M-850 7-21-05

INSTALLATION AND OPERATION

ATTACHING AND DETACHING EQUIPMENT

Please see your vehicle operator's manual for instructions on attaching and detaching your equipment.

OPERATING EQUIPMENT

Read all Safety Precautions before operating your new attachment. If you have not been supplied with a load chart for your attachment, order one from your dealer, and place it inside the operating machine for safe lift capacity limits.

Refer to your machine operator's manual for attachment operation.

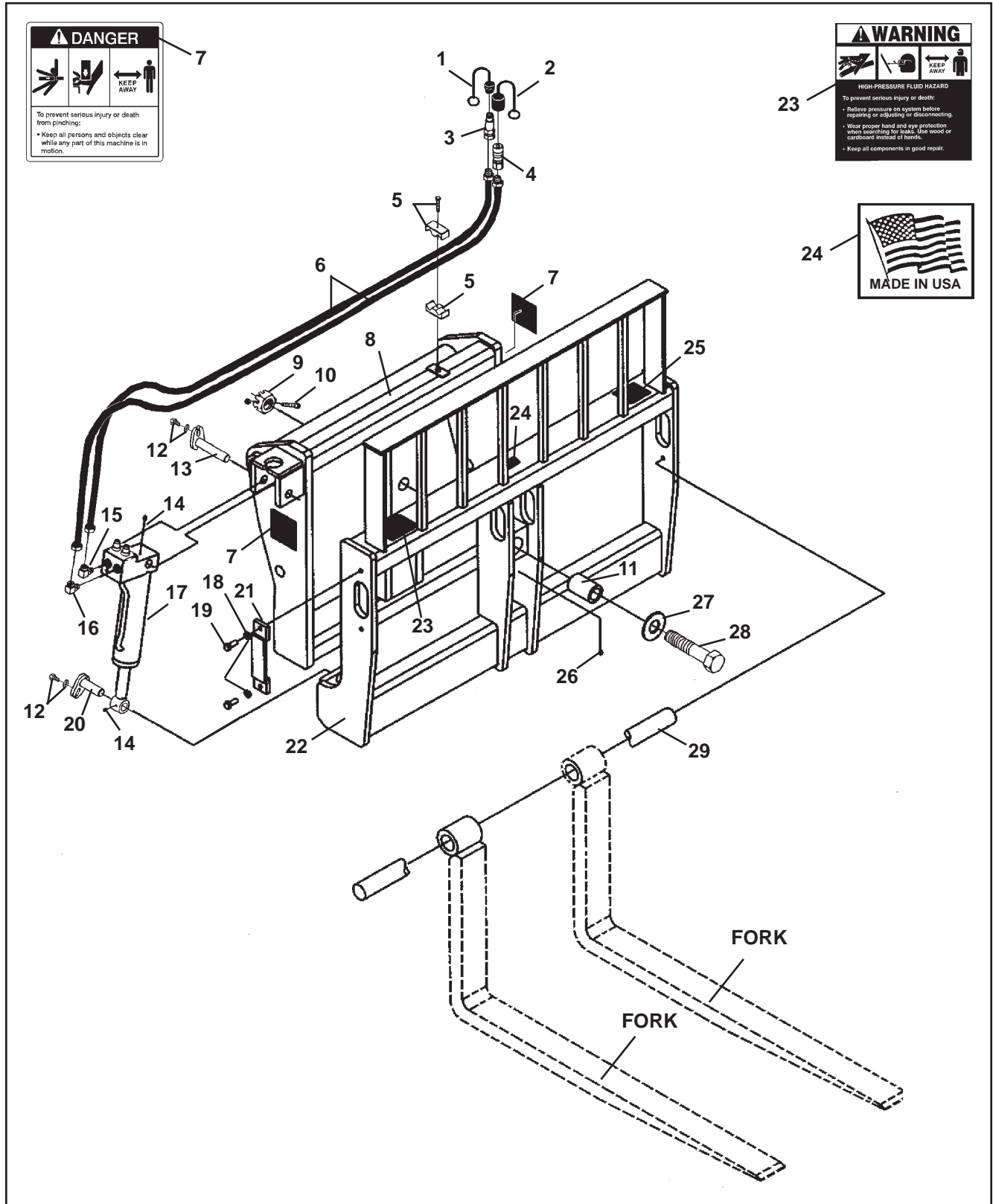
SIDE TILT FORK CARRIAGE

When using the tilt feature keep the load as level as possible, using extreme caution when driving off of a slope to reposition the forks, to prevent the load from sliding off of the forks or pallet.

NOTE: If the carriage tilts or drifts due to oil leakage within the cylinder assembly, discontinue use until the problem has been corrected.

When using the shift feature to pick up a load, be sure to return the forks and load to the center position as soon as possible. Do NOT travel with loaded forks shifted to the side.

48" ROTATING FORK CARRIAGE ASSEMBLY #820271 (SIDE TILT)



M-932 10-29-07-2

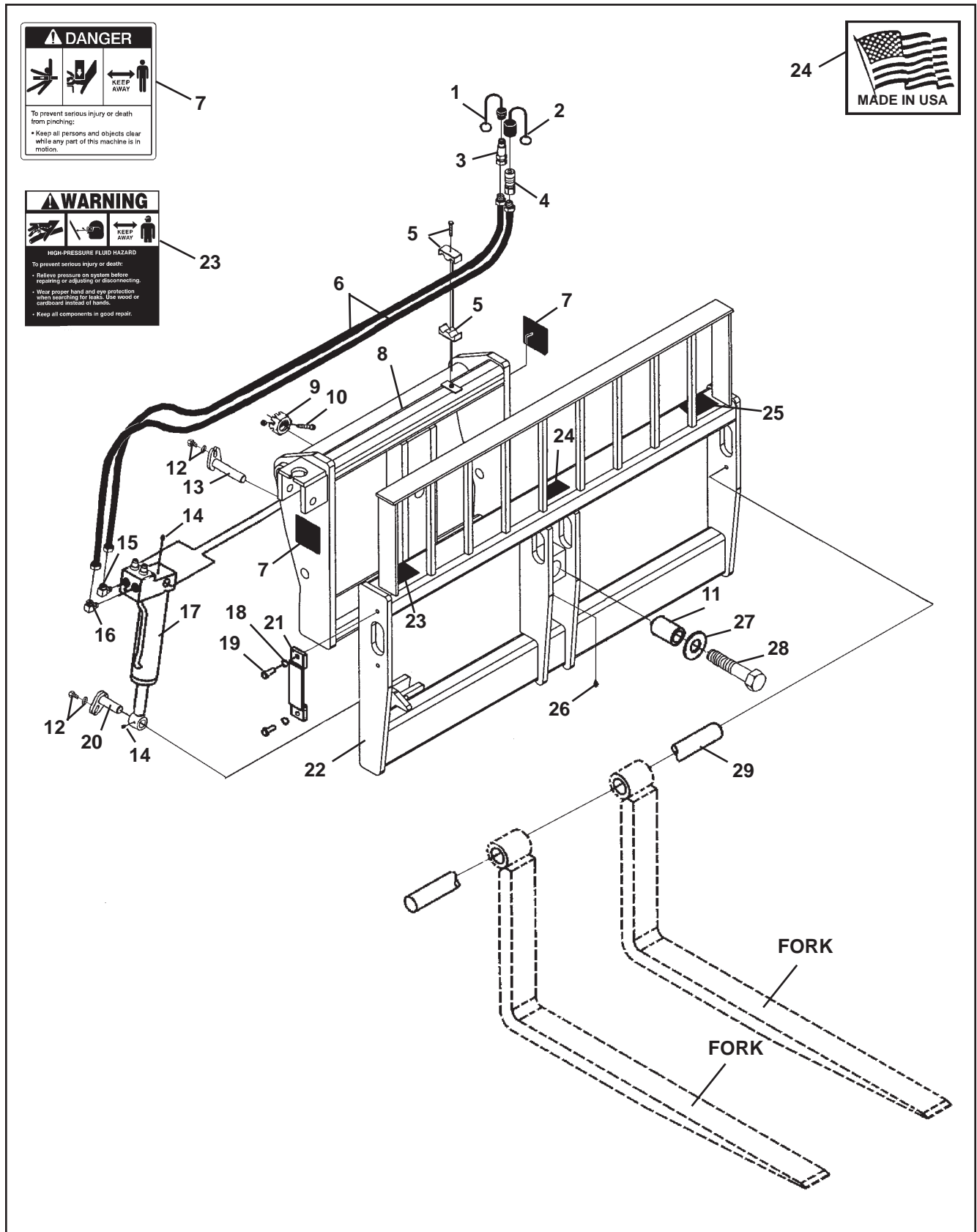
**48" ROTATING FORK CARRIAGE ASSEMBLY #820271
(SIDE TILT)**



ITEM	PART NUMBER	QTY	DESCRIPTION
1	32549	1	Quick Coupler Cover, Male
2	32548	1	Quick Coupler Cover, Female
3	84923	1	Male Quick Coupler
4	84928	1	Female Quick Coupler
5	81358	1	Hose Clamp Assembly with Bolt
6	38033	2	Hose, .38" x 87" 6FJX x 8MBo
7	40668	2	Danger Decal
8	18303	1	Rear Frame Weldment
9	10019	1	1.50" UNF Castle Nut
10	1050	1	.38" UNC X 2.75" Hex Capscrew
	1837	1	.38" UNC Lock Nut
11	14099	1	Spacer Tube
12	10023	2	.31" UNF x 1.00" Hex Capscrew
	1513	2	.31" Flat Washer
13	14070	1	Pivot Pin, 1" Dia. x 4.72" Long
14	6616	2	Grease Fitting
15	3434	1	90° Elbow 6MBo-6MJ
16	14067	1	90° Elbow 6MBo-6MJ with .027 Orifice
17	89113	1	Tilt Cylinder Assembly
18	1505	4	.50" Lock Washer
19	1339	4	.50" UNF x 1.25" Hex Capscrew
20	14071	1	Pivot Pin, 1" Dia. x 3.00" Long
21	14002	2	Fork Pin Retainer
22	18302	1	Front Frame Weldment
23	40669	1	Warning Decal
24	4338	1	Made in USA Decal
25	----	1	Serial Number Identification Tag Location
26	9371	1	Grease Fitting
27	1522	1	Washer
28	10013	1	1.50" UNF x 7.00" Hex Capscrew
29	14338	1	Fork Pin, 2" Dia. x 50.25" Long

NOTE: Please specify that this is a Paladin attachment when contacting the Gehl Parts Department.

60" ROTATING FORK CARRIAGE ASSEMBLY #820272 (SIDE TILT)



M-938 10-29-07-2

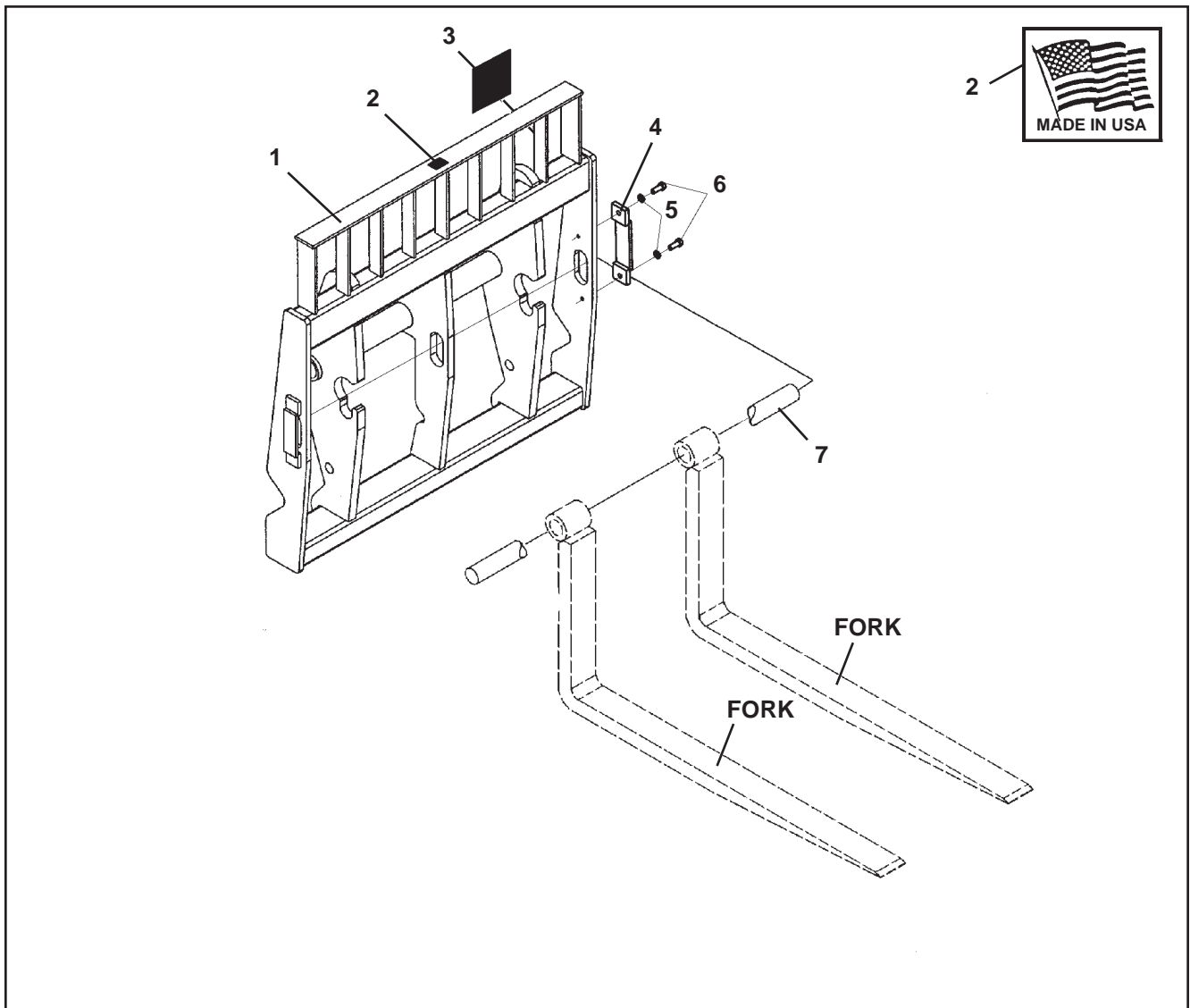
**60" ROTATING FORK CARRIAGE ASSEMBLY #820272
(SIDE TILT)**



ITEM	PART NUMBER	QTY	DESCRIPTION
1	32549	1	Quick Coupler Cover, Male
2	32548	1	Quick Coupler Cover, Female
3	84923	1	Male Quick Coupler
4	84928	1	Female Quick Coupler
5	81358	1	Hose Clamp Assembly with Bolt
6	38033	2	Hose, .38" x 87" 6FJX x 8MBo
7	40668	2	Danger Decal
8	18303	1	Rear Frame Weldment
9	10019	1	1.50" UNF Castle Nut
10	1050	1	.38" UNC X 2.75" Hex Capscrew
	1837	1	.38" UNC Lock Nut
11	14099	1	Spacer Tube
12	10023	2	.31" UNF x 1.00" Hex Capscrew
	1513	2	.31" Flat Washer
13	14070	1	Pivot Pin, 1" Dia. x 4.72" Long
14	6616	2	Grease Fitting
15	3434	1	90° Elbow 6MBo-6MJ
16	14067	1	90° Elbow 6MBo-6MJ with .027 Orifice
17	89113	1	Tilt Cylinder Assembly
18	1505	4	.50" Lock Washer
19	1339	4	.50" UNF x 1.25" Hex Capscrew
20	14071	1	Pivot Pin, 1" Dia. x 3.00" Long
21	14002	2	Fork Pin Retainer
22	105161	1	Front Frame Weldment
23	40669	1	Warning Decal
24	4338	1	Made in USA Decal
25	----	1	Serial Number Identification Tag Location
26	9371	1	Grease Fitting
27	1522	1	Washer
28	10013	1	1.50" UNF x 7.00" Hex Capscrew
29	14339	1	Fork Pin, 2" Dia. x 62.25" Long

NOTE: Please specify that this is a Paladin attachment when contacting the Gehl Parts Department.

**48" FLOATING PIN FORK CARRIAGE
ASSEMBLY #820269**

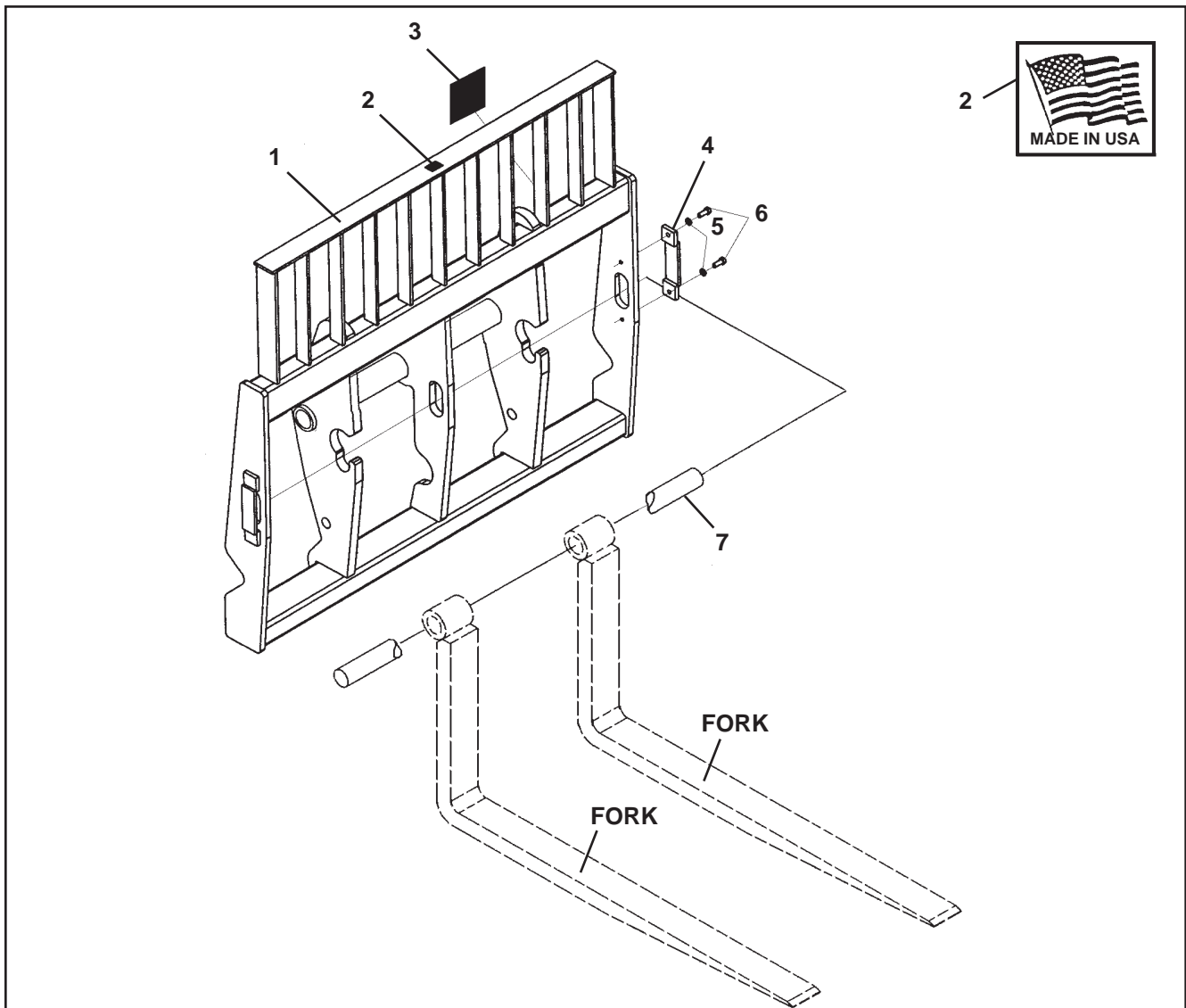


ITEM	PART NUMBER	QTY	DESCRIPTION
1	18355	1	60" Fork Carriage Frame
2	4338	1	Made In USA Decal
3	----	1	Serial Number Identification Tag Location
4	14002	1	Fork Pin Retainer
5	1505	2	.50" Lock Washer
6	1339	2	.50" UNF x 1.25 Hex Capscrew
7	14338	1	Fork Pin, 2.00" Diameter x 50.25" Long

NOTE: Please specify that this is a Paladin attachment when contacting the Gehl Parts Department.

M-931 10-29-07-2

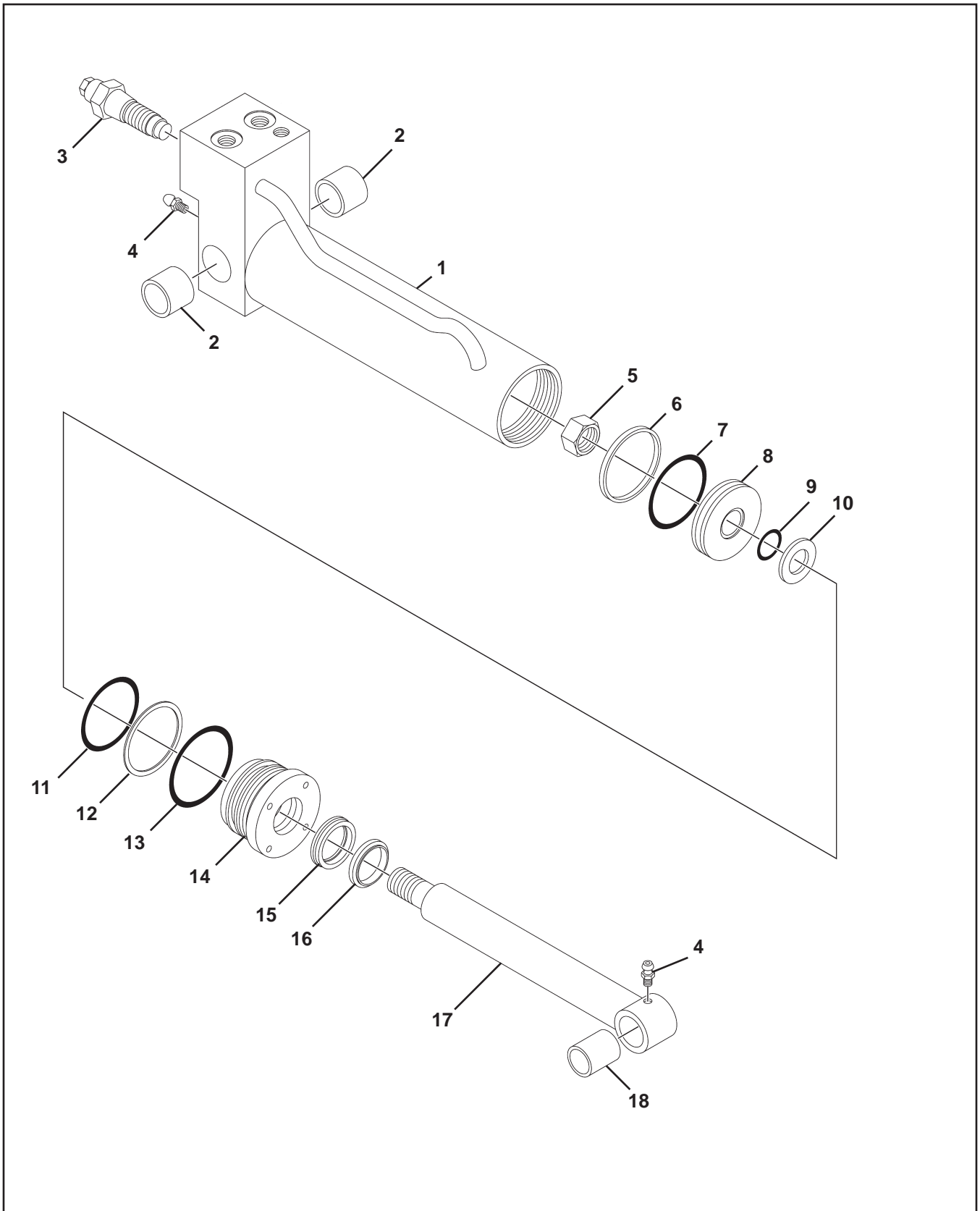
**60" FLOATING PIN FORK CARRIAGE
ASSEMBLY #820270**



ITEM	PART NUMBER	QTY	DESCRIPTION
1	18704	1	60" Fork Carriage Frame
2	4338	1	Made In USA Decal
3	----	1	Serial Number Identification Tag Location
4	14002	1	Fork Pin Retainer
5	1505	2	.50" Lock Washer
6	1339	2	.50" UNF x 1.25 Hex Capscrew
7	14339	1	Fork Pin, 2.00" Diameter x 62.25" Long

NOTE: Please specify that this is a Paladin attachment when contacting the Gehl Parts Department.

M-930 10-29-07-2



CYLINDER ASSEMBLY #89113



<u>ITEM</u>	<u>PART NUMBER</u>	<u>QTY</u>	<u>DESCRIPTION</u>
1	89114	1	Cylinder Tube with Valve
2	88919	2	Bronze Bushing
3	89120	2	Valve Cartridge - Over Center
4	6616	2	Grease Fitting
5	1483	1	Hex Nut
6	4644*	1	Piston Ring
7	4645*	1	O-Ring
8	50252	1	Piston
9	4641*	1	O-Ring
10	5421	1	Washer
11	4509*	1	O-Ring
12	4510*	1	Back-Up Washer
13	45250*	1	O-Ring
14	77458	1	Cylinder Gland
15	45219*	1	Polypak Seal
16	45389*	1	Rod Wiper
17	88927	1	Piston Rod
18	88918	1	Bronze Bushing
	45617	1	Cylinder Seal Kit Includes all parts marked with an asterisk(*). Parts are not sold separately.

NOTE: Please specify that this is a Paladin attachment when contacting the Gehl Parts Department.

M-1675 11-1-07