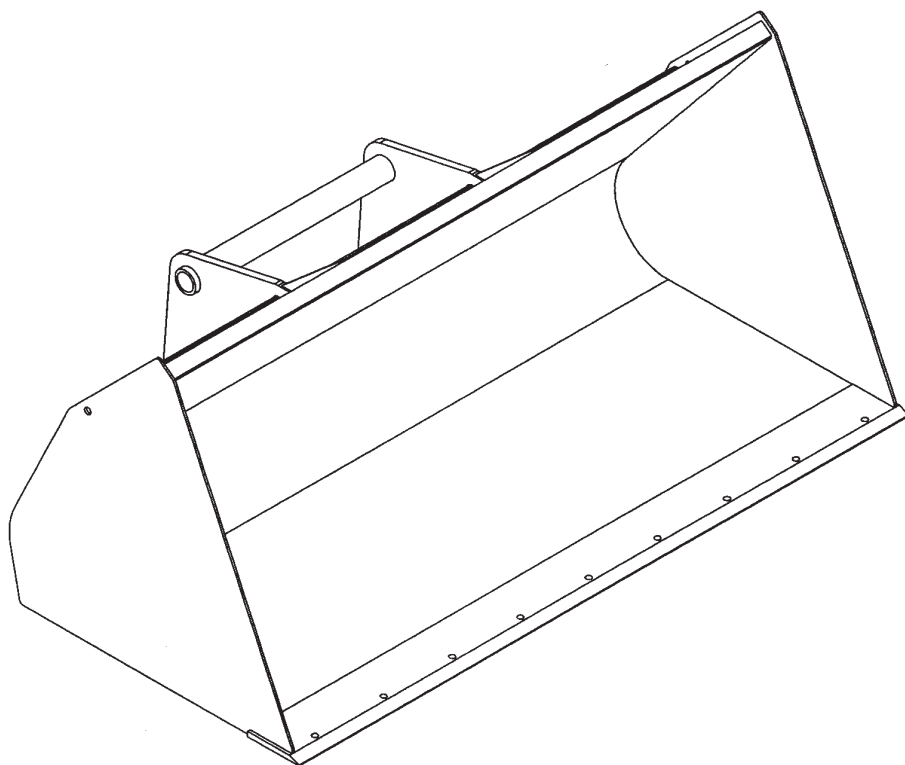


GEHL®

BUCKET MANUAL FOR CT-SERIES TELESCOPIC HANDLERS

OPERATOR'S & PARTS MANUAL



MODEL NUMBER: _____

Manual Number: 76266

SERIAL NUMBER: _____

Revision: 3

MANUFACTURED BY PALADIN BRANDS FOR GEHL
143 Water Street
West Bend, WI 53095

Printed in U.S.A.

GENERAL SAFETY PRECAUTIONS - CONTINUED

WARNING!



PROTECT AGAINST FLYING DEBRIS

Always wear proper safety glasses, goggles, or a face shield when driving pins in or out, or when any operation causes dust, flying debris, or any other hazardous material.

WARNING!



LOWER OR SUPPORT RAISED EQUIPMENT

Do not work under raised booms without supporting them. Do not use support material made of concrete blocks, logs, buckets, barrels, or any other material that could suddenly collapse or shift positions. Make sure support material is solid, not decayed, warped, twisted, or tapered. Lower boom to ground level or on blocks. Lower boom and attachments to the ground before leaving the cab or operator's station.

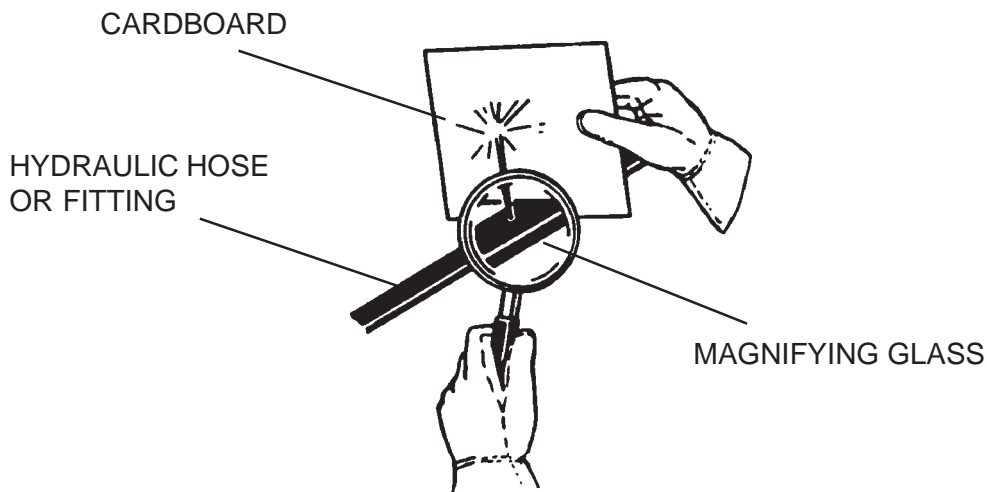
WARNING!



USE CARE WITH HYDRAULIC FLUID PRESSURE

Hydraulic fluid under pressure can penetrate the skin and cause serious injury or death. Hydraulic leaks under pressure may not be visible. Before connecting or disconnecting hydraulic hoses, read your prime mover's operator's manual for detailed instructions on connecting and disconnecting hydraulic hoses and fittings.

- Keep unprotected body parts, such as face, eyes, and arms as far away as possible from a suspected leak. Flesh injected with hydraulic fluid may develop gangrene or other permanent disabilities.
- If injured by injected fluid, see a doctor at once. If your doctor is not familiar with this type of injury, ask him to research it immediately to determine proper treatment.
- Wear safety glasses, protective clothing, and use a piece of cardboard or wood when searching for hydraulic leaks. **DO NOT USE YOUR HANDS! SEE ILLUSTRATION.**



EQUIPMENT SAFETY PRECAUTIONS

WARNING!



KNOW WHERE UTILITIES ARE

Observe overhead electrical and other utility lines. Be sure equipment will clear them. When digging, call your local utilities for location of buried utility lines, gas, water, and sewer, as well as any other hazard you may encounter.



OPERATING THE TELESCOPIC HANDLER

Avoid steep hillside operation, which could cause the telescopic handler to overturn. Consult your machine's operator's and safety manuals for maximum incline allowable. Extreme caution should be used when working along the top of banks or slopes. Keep away from the edge.

When operating on a slope, keep the load low, and proceed with extreme caution. Do not drive ACROSS a steep slope - drive straight up and down.

With a LOADED bucket - drive with the bucket and load facing uphill. With an EMPTY bucket - drive with the bucket facing downhill.



WORKING WITH THE ATTACHMENT

- Never use the attachment for a work platform or personnel carrier.
- Specified lift capacities must not be exceeded, otherwise machine stability will not be sufficient. Always observe lift capacity limits listed in the machine specifications or on load charts furnished with the telescopic handler.
- An operator must not use drugs or alcohol, which can change his or her alertness or coordination. An operator taking prescription or over-the-counter drugs should seek medical advice on whether or not he or she can safely operate equipment.
- Always check locking pins before operating any attachment.
- Never lift, move, or swing a loaded bucket over anyone.
- Never undercut a high bank. When working at the base of a bank, overhang, or stockpile, avoid dangers such as rock or earth slides, overhanging trees, or a cave-in, by proper job operation.
- Be careful when handling loose objects. Lifting objects too high, or rolling the bucket too far back, could result in the objects sliding backward down the boom onto the operator's compartment.
- Don't obstruct your vision when traveling or working. Carry the bucket low for maximum stability and visibility.

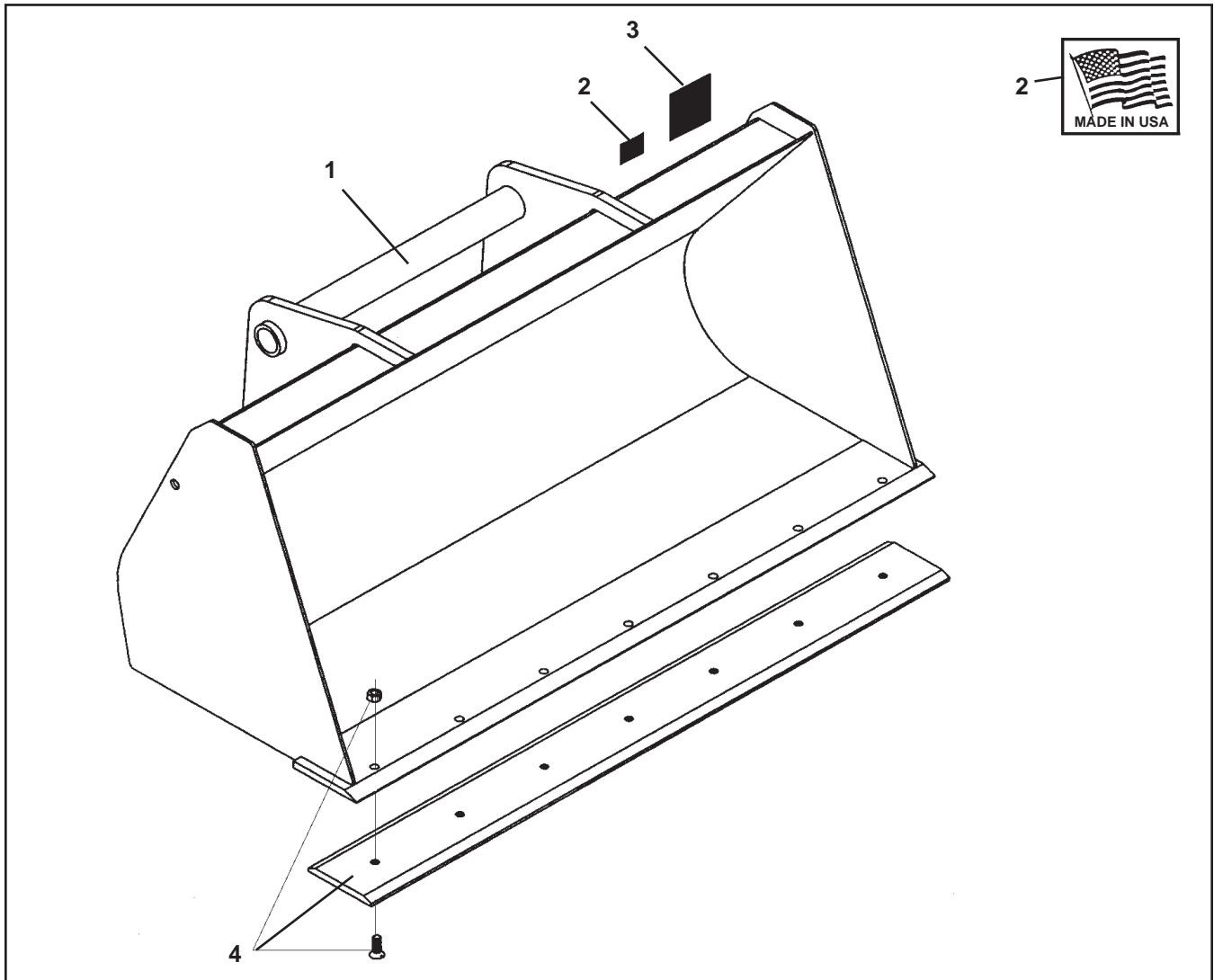


MAINTAINING THE ATTACHMENT

- Never perform any work on the equipment unless you are authorized and qualified to do so. Always read the operator's and service manual(s) before any repair is made. After completing the maintenance or repair, check for correct functioning of the attachment. If not functioning properly, always attach a "DO NOT OPERATE" tag to the machine until all problems are corrected.
- Worn, damaged, or illegible safety decals must be replaced. New safety decals can be ordered from the manufacturer.

M-912 6-28-05

GENERAL PURPOSE BUCKET ASSEMBLY #820252
1.00 CUBIC YARDS - 73" WIDE

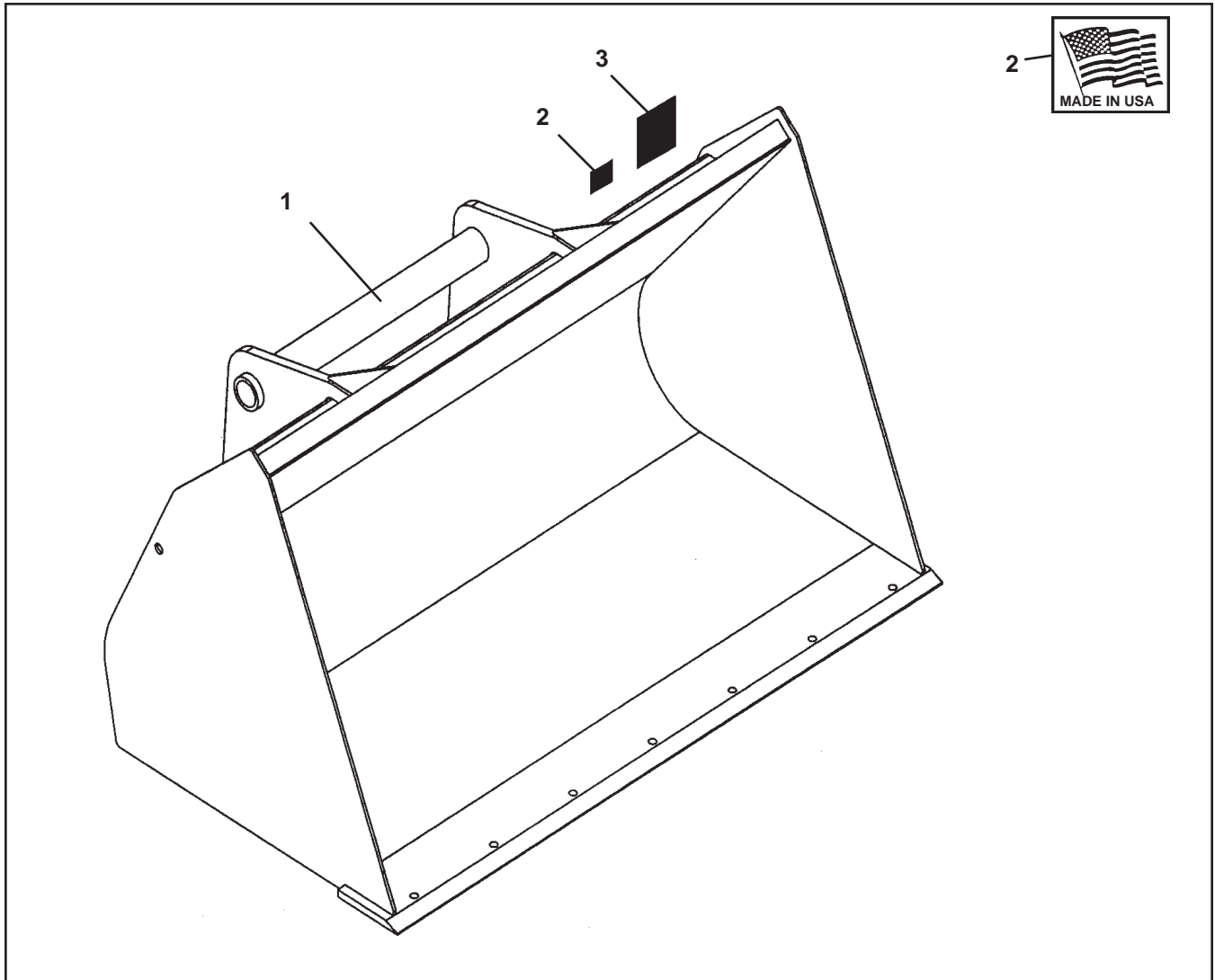


ITEM	PART NUMBER	QTY	DESCRIPTION
1	104850	1	Bucket, 1.00 Cubic Yard x 73" Wide
2	4338	1	Made In USA Decal
3	---	1	Serial Number Identification Tag Location
4	820252	1	Bolt-On Cutting Edge Assembly
	100830	1	.75" x 8.00" x 74" Cutting Edge
	1937	7	.75" UNC x 2.50" Plow Bolt, Grade 5
	1936	7	.75" UNC Deformed Lock Nut

NOTE: Please specify that this is a Paladin attachment when contacting the Gehl Parts Department.

M-941 10-29-07-2

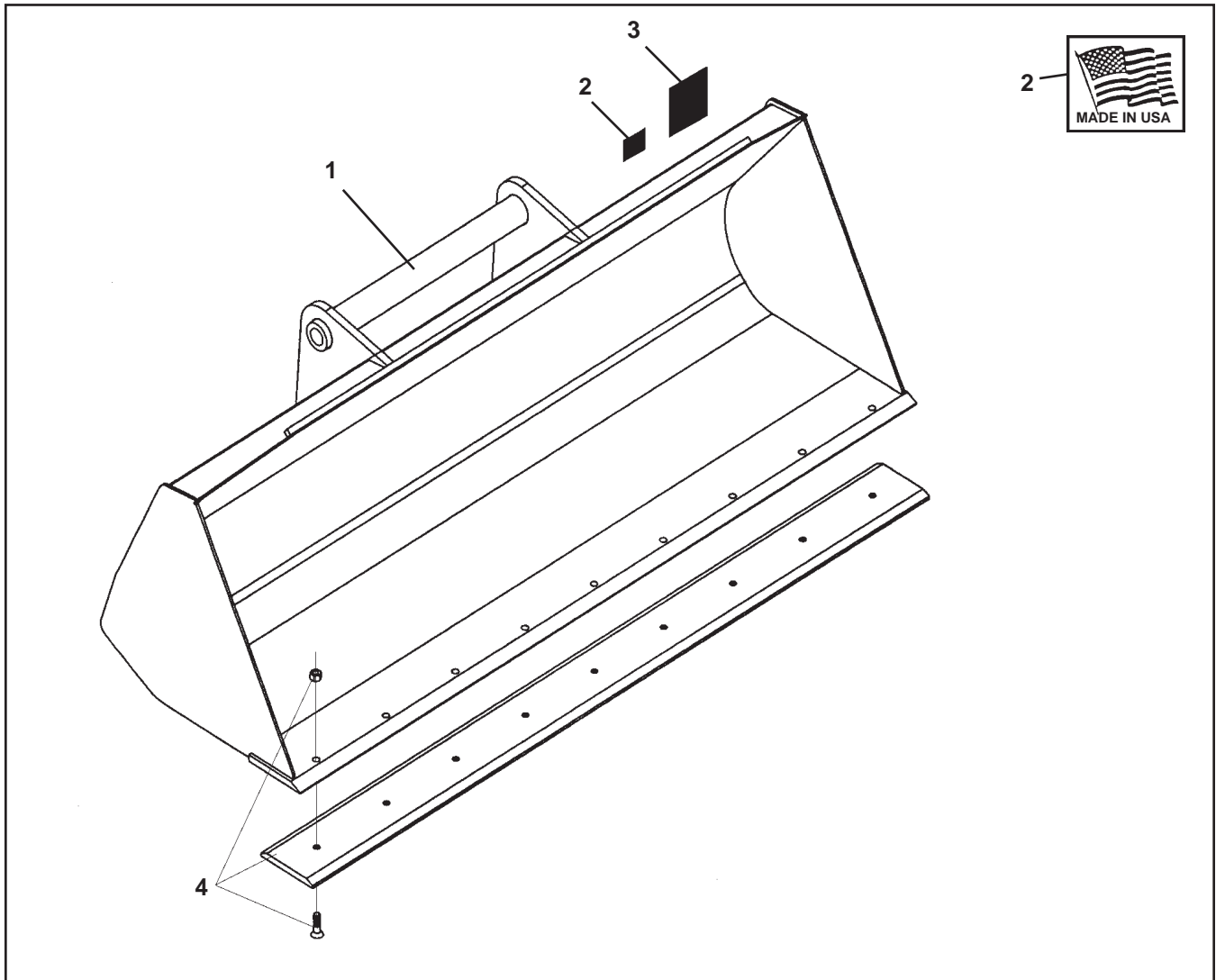
LIGHT MATERIAL BUCKET ASSEMBLY #820254
1.50 CUBIC YARDS - 73" WIDE



ITEM	PART NUMBER	QTY	DESCRIPTION
1	104849	1	Bucket, 1.50 Cubic Yards x 73" Wide
2	4338	1	Made In USA Decal
3	---	1	Serial Number Identification Tag Location

NOTE: Please specify that this is a Paladin attachment when contacting the Gehl Parts Department.

GENERAL PURPOSE BUCKET ASSEMBLY #820258
1.25 CUBIC YARDS - 96" WIDE

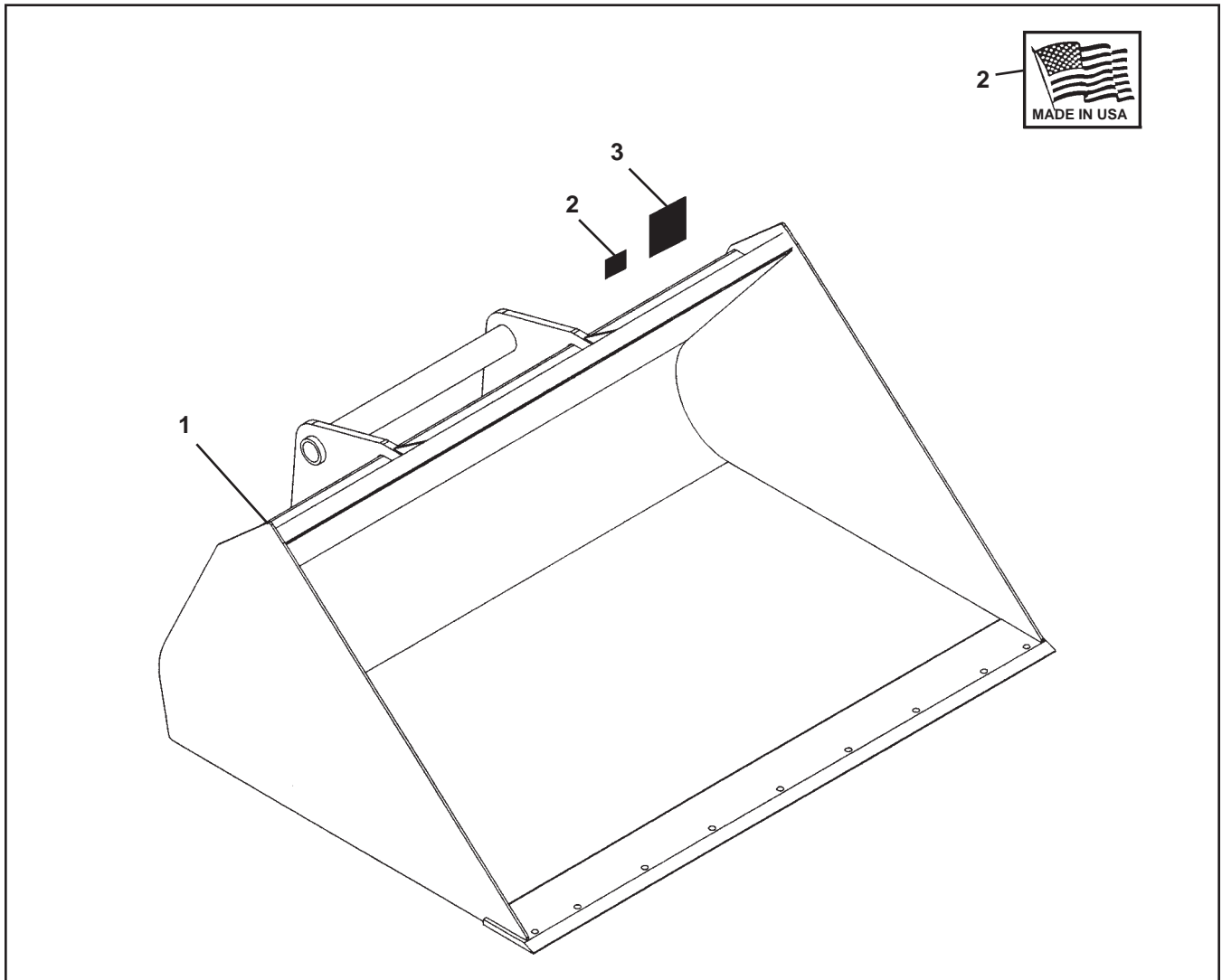


ITEM	PART NUMBER	QTY	DESCRIPTION
1	104782	1	Bucket, 1.25 Cubic Yard x 96" Wide
2	4338	1	Made In USA Decal
3	---	1	Serial Number Identification Tag Location
4	820259	1	Bolt-On Cutting Edge Assembly
	12245	1	.75" x 8.00" x 96" Cutting Edge
	1937	9	.75" UNC x 2.50" Plow Bolt, Grade 5
	1936	9	.75" UNC Deformed Lock Nut

NOTE: Please specify that this is a Paladin attachment when contacting the Gehl Parts Department.

M-925 10-30-07-2

**LIGHT MATERIAL BUCKET ASSEMBLY #12887
2.50 CUBIC YARDS - 84" WIDE**

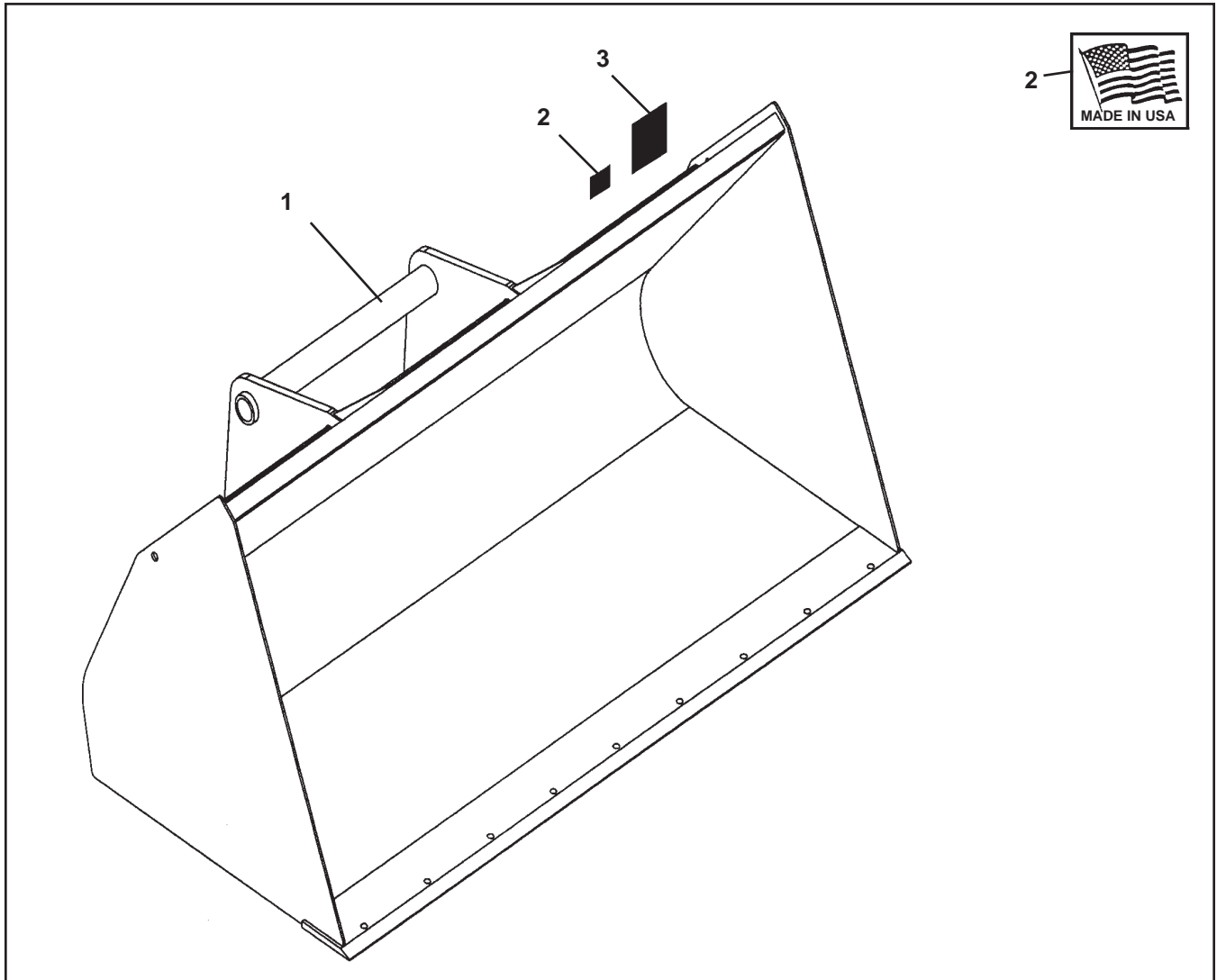


ITEM	PART NUMBER	QTY	DESCRIPTION
1	106310	1	Bucket, 2.50 Cubic Yard x 84" Wide
2	4338	1	Made In USA Decal
3	---	1	Serial Number Identification Tag Location

NOTE: Please specify that this is a Paladin attachment when contacting the Gehl Parts Department. Optional bolt-on cutting edge #18057 is available for this bucket.

M-1661 10-30-07

LIGHT MATERIAL BUCKET ASSEMBLY #820256
2.50 CUBIC YARDS - 96" WIDE

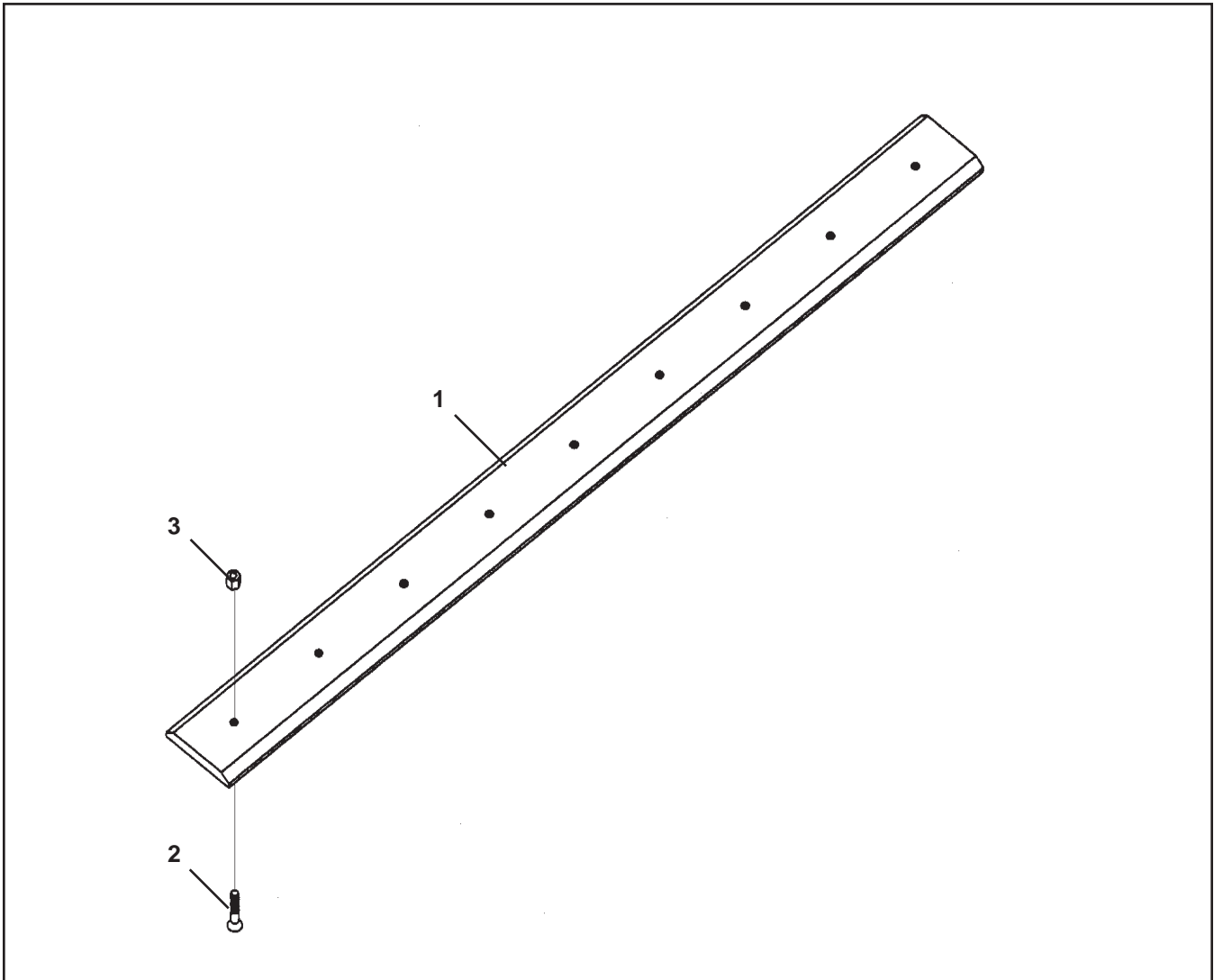


ITEM	PART NUMBER	QTY	DESCRIPTION
1	104661	1	Bucket, 2.50 Cubic Yards x 96" Wide
2	4338	1	Made In USA Decal
3	---	1	Serial Number Identification Tag Location

NOTE: Please specify that this is a Paladin attachment when contacting the Gehl Parts Department.

M-926 10-30-07-2

**BOLT-ON CUTTING EDGE ASSEMBLY #820259
FOR 96" WIDE GENERAL PURPOSE BUCKET**



ITEM	PART NUMBER	QTY	DESCRIPTION
	820259	1	Bolt-On Cutting Edge Assembly
1	12245	1	.75" x 8.00" x 96" Cutting Edge
2	1937	9	.75" UNC x 2.50" Plow Bolt, Grade 5
3	1936	9	.75" UNC Deformed Lock Nut

NOTE: Please specify that this is a Paladin attachment when contacting the Gehl Parts Department.

M-940 10-30-07-2